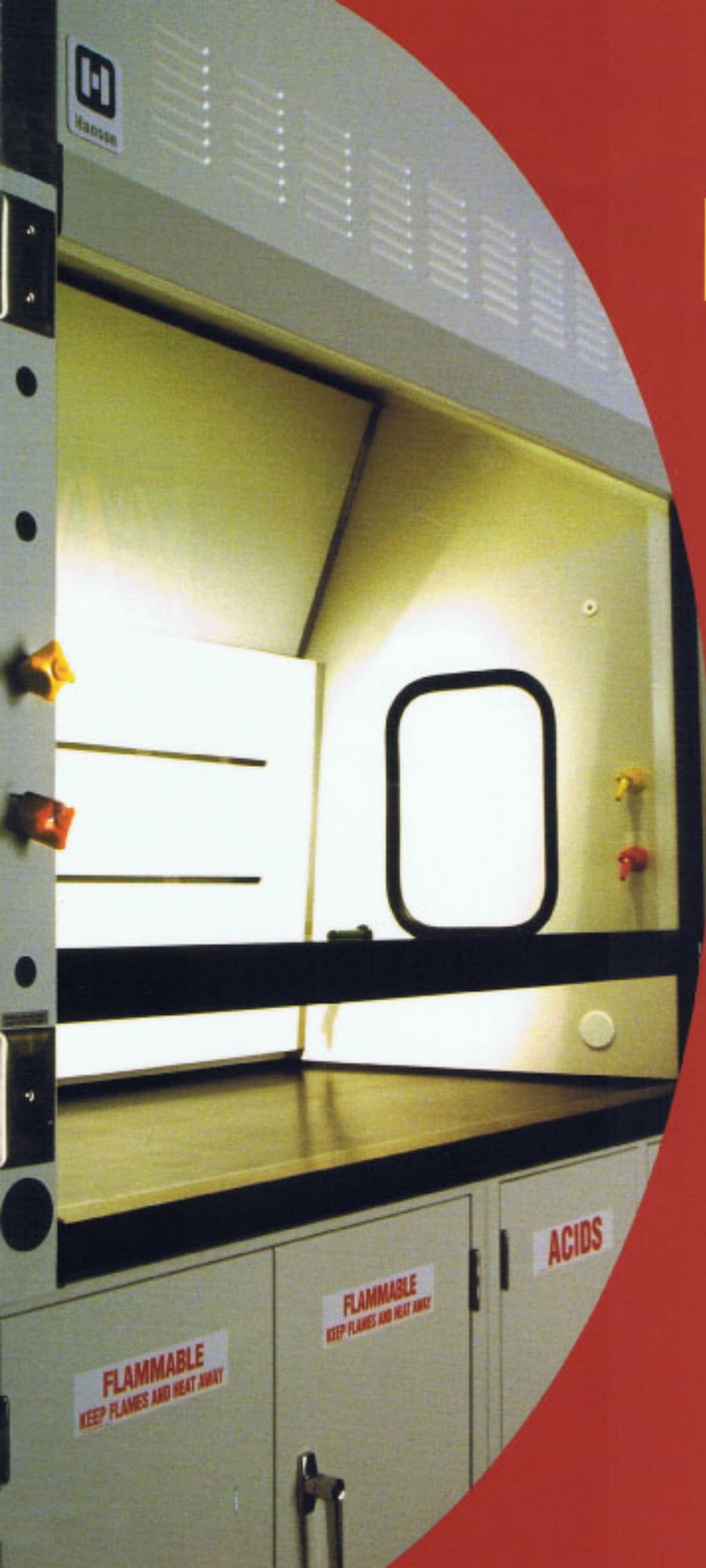


FUME HOODS

Now the
best is
within
your
reach



Hanson

Raise your standards, not your budget.™

Hanson Lab Furniture, Inc. delivers the world's best fume hoods at a surprisingly affordable price. Surpassing industry standards in every respect, they're built with:

- **Ergonomic features that make the scientist's job easier.** You get taller sight lines, a long-lasting crush-resistant flush sill airfoil that gives you unobstructed access to materials, and a wire-management chase that keeps cords out of your way, even with the sash fully closed.
- **Safety features that are far above the industry standard,** to provide more protection for a wider range of applications and chemistries. Like higher-rated safety glass, thicker liner board, and fixed upper baffles that deliver consistent airflow for the life of the hood. And a vented finger pull — a Hanson exclusive

—that provides excellent ventilation even when the fume hood is closed.

- **Quality construction that's built to last.** Galvanized snap-together frames are the industry standard. But Hanson fume hoods have all-welded, epoxy powder-coated steel frames instead. The result is a more-stable construction and extra years of life. Remote service fixtures feature attractive, contemporary handles with forged brass valve bodies. Outstanding fit and finish, handsome styling, and a choice of standard or custom colors mean that Hanson fume hoods look great for years to come.
- **Hanson Fume Hoods are the world's best — and the world's best value.** Because we're vertically integrated, you get far more quality for your money than with any other fume hood. With Hanson, the best truly is within your reach.

Custom hoods, competitive prices, fastest installation in the industry: Hanson delivers.

Tell us your needs, and we'll design a custom fume hood to meet it. Whether you need a custom size or clearance, unique access panel, additional outlets, built-in sinks, or a finish in your favorite color, just tell your Hanson Lab Planner. Chances are, we can deliver your custom hood in the time it takes our competitors to deliver a catalog model — and at the same price.



Walk-in hoods, too: Hanson fume hoods are available in any size from a 3' countertop to a 30' custom walk-in.

We can deliver because:

1. **We're vertically integrated.** Hanson fume hoods are designed and built in our Southern California facility, so it's no problem to build your fume hood to your exact needs and specifications. In fact, some custom requests may not impact your costs or lead time at all.
2. **We're experienced.** We've been designing, building, and installing fume hoods for more than 25 years. Our knowledgeable Lab Planning Specialists make the process easy for you.
3. **We're closer to our customers.** As the only scientific furniture designer and manufacturer on the west coast, we can save you time and money.

Raise your standards, not your budget. Specify Hanson.

"There was an explosion and a fire in our Hanson fume hood, and I walked away without a scratch. Thanks." *Dr. Karl Christy, Stanford University*

"We needed two 29'-wide walk-in fume hoods placed back-to-back and separated by a ventilated center section. HLF delivered like they build these every day!" *Davis Jensen, GE Hybrid Power Systems*

To learn more, or to order, call

1-805-498-3121

www.hansonlab.com

Optional ceiling enclosure provides smooth, clean lines, eliminates visible service connections. Includes 12" removable service access panel.

- Fixed upper baffle optimizes airflow, eliminates possibilities of misalignment or misuse.
- Taller, 36-inch sash sight line provides a better view of the process.
- Higher-rated safety glass offers greater protection against fires and explosions.
- Ergonomically designed controls offer a sure, easy grip. Up to 6 service fixtures can be installed on each side.



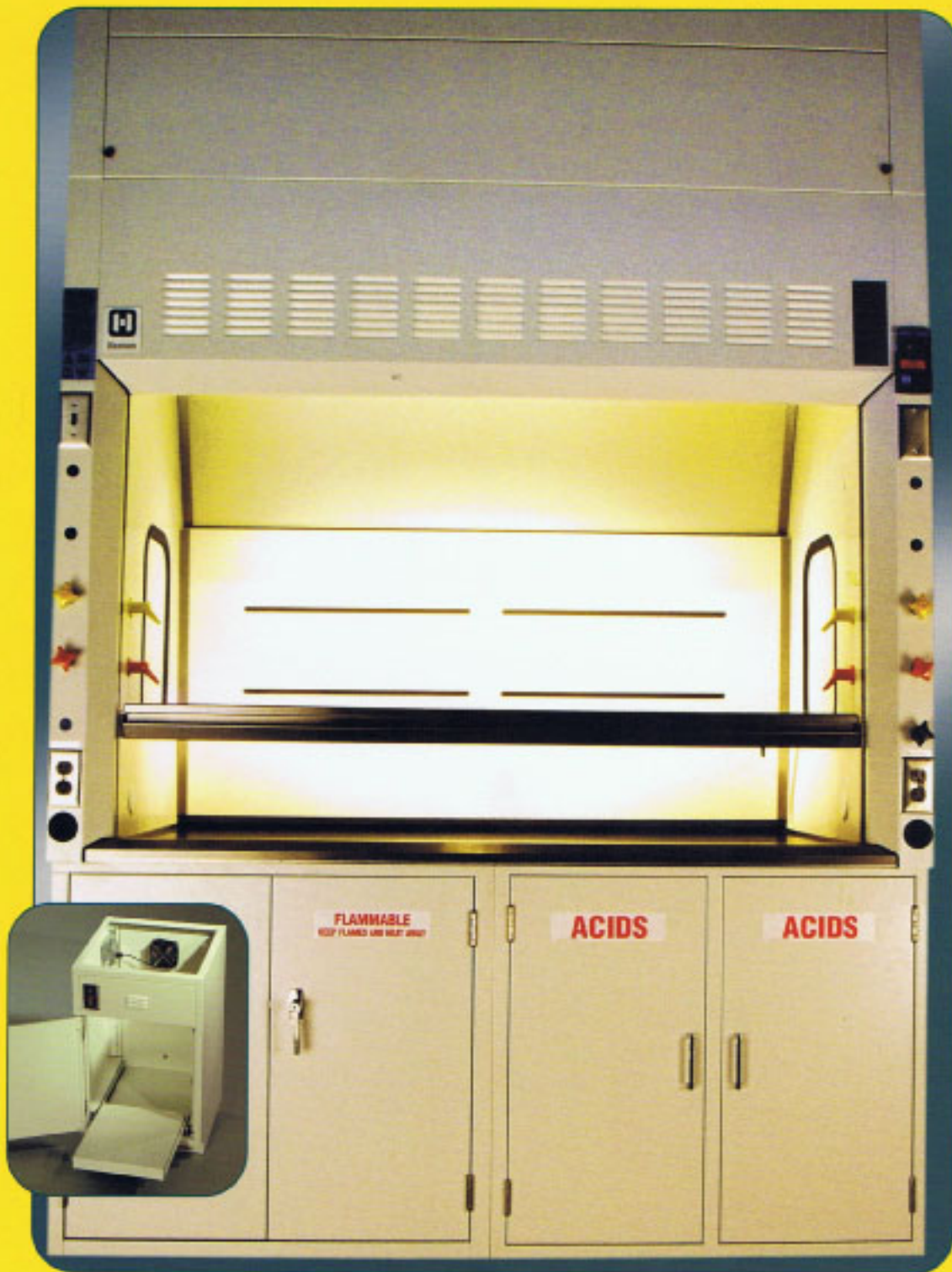
- Powder-coated steel frame is corrosion-resistant and long-lasting. Remote service fixtures with forged-brass valve bodies maintain structural integrity longer. You can also upgrade to a direct-control panel mount option.
- Flush sill airfoil is supported on the work surface without sacrificing spill containment. It won't bend or bow, is easy to clean, and gives you unobstructed access to the work area.



- Vented finger pull, a Hanson exclusive, allows air to sweep the work surface even in the closed position – and it's invisible in the open position.



- Wire-management chase on both sides keeps wires organized, clear of the sash, and free of chemical residue.



- Optional vacuum pump base cabinet includes remote switched outlet, forced-air exhaust for heat reduction and longer equipment life, built-in pull shelf, and soundproofing.

- Optional flammable base cabinet has a larger internal volume to store more material and larger containers. Spill containment is integrated into the toe-kick area and is another feature unique to Hanson.

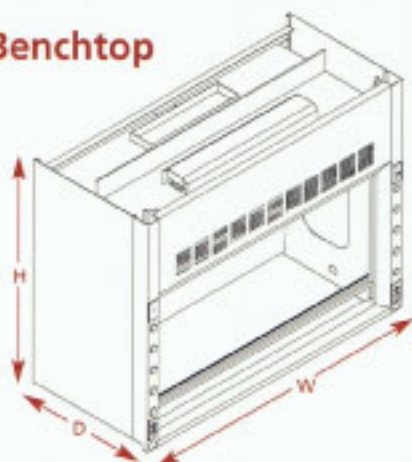
- Optional acid (corrosive) base cabinet provides corrosion-resistant environment for chemical storage.



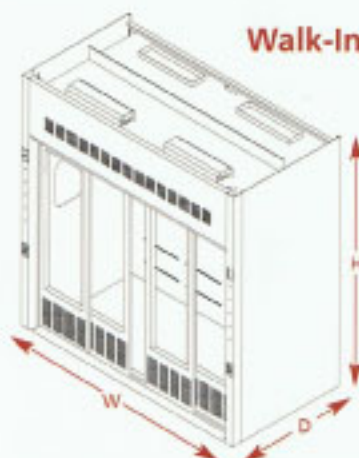
Hanson

Specify Hanson Fume Hoods

Benchtop



Walk-In



MODEL NUMBER*	AVAILABLE DEPTHS			WIDTH
	31.375"	37.375"	41.375"	
5SA35	-A	-B	-C	35"
5SA47	-A	-B	-C	47"
5SA58	-A	-B	-C	58"
5SA70	-A	-B	-C	70"
5SA94	-A	-B	-C	94"
5SA120**	-A	-B	-C	120"
Custom	Call and tell us your needs			

*For variable air volume hoods add -VAV to model number.
 **Dual sash standard Height above top 53"

MODEL #	Vertical Sash	Horizontal Sash	WIDTH
4SA47A	-WIV	n/a	47"
4SA58A	-WIV	-WIH	58"
4SA70A	-WIV	-WIH	70"
4SA94A	-WIV	-WIH	94"
4SA120A	n/a	-WIH	120"
Custom	Call and tell us your needs		

All standard walk-in fume hoods are 48" deep x 94" high (outside dimension). Horizontal sash shown.

Base Cabinets

MODEL #	WIDTH	HEIGHT
STANDARD SINGLE-DOOR		
FHB18H	18.25"	35.75"
FHB24H	24.25"	35.75"
STANDARD DOUBLE-DOOR		
FHB35H	35"	35.75"
FHB47H	47"	35.75"
FHB58H	58"	35.75"
ACID (CORROSIVE) SINGLE-DOOR		
ASB18H	18.25"	35.75"
ASB34H	24.25"	35.75"
ACID (CORROSIVE) DOUBLE-DOOR		
ASB35H	35"	35.75"
ASB47H	47"	35.75"
ASB58H	58"	35.75"
FLAMMABLE SINGLE-DOOR		
FSB18H	18.25"	35.75"
FSB24H	24.25"	35.75"
FLAMMABLE DOUBLE-DOOR		
FSB35H	35"	35.75"
FSB47H	47"	35.75"
FSB58H	58"	35.75"
VACUUM PUMP CABINET		
VAC24H	24.25"	35.75"



**Need custom cabinets?
Just call us at 1-805-498-3121.**

All cabinets also available in low height of 29.75".

How to Order

It's easy to get the world's best fume hoods, without raising your budget: just call a Lab Planning Specialist at Hanson Lab Furniture, Inc. Use the model numbers above as a guide, or just tell us what you need.

Whether you are a science specialist, project manager, contractor, or architect; whether you need a single fume hood or an entire custom lab, your Lab Planning Specialist will guide you from specifications to installation.

PHONE: 805-498-3121
 FAX: 805-498-1855
www.hansonlab.com



The Science of Laboratory Construction